

XVR-G2 Series



Key Features

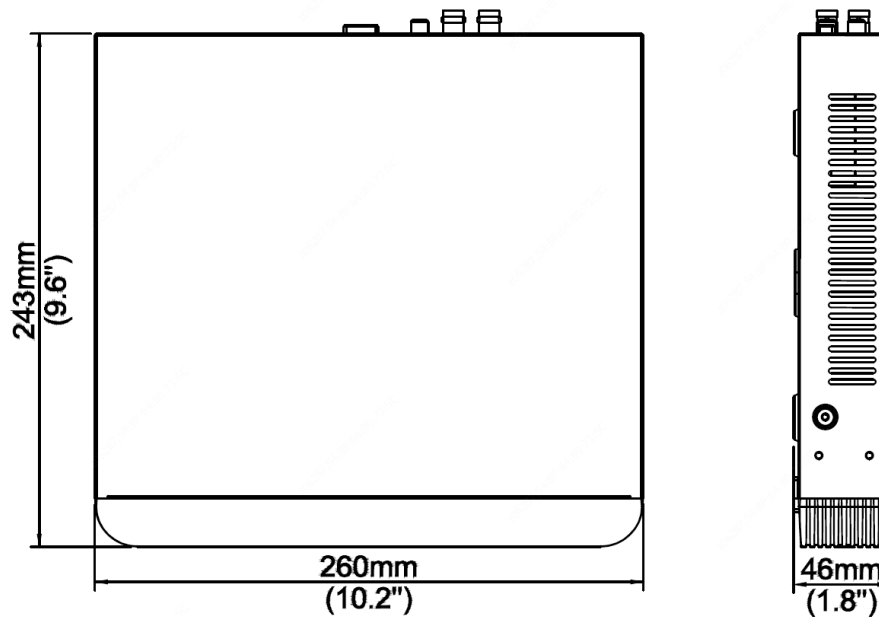
- Support H.265/H.264 video formats
- Support audio over coaxial cable
- Support TVI, AHD, CVI, CVBS, IP cameras with adaptive access
- 4/8-channel BNC input
- Support 1-ch HDMI output, 1-ch VGA output at up to 1920*1080
- Long transmission distance over coax cable

Specifications

Model	XVR-104G2	XVR-108G2
Video/Audio Input		
Analog Video Input	4-ch, BNC	8-ch, BNC
IP Video Input	2-ch(only IP up to 6ch), each channel up to 4MP	4-ch(only IP up to 8ch), each channel up to 4MP
Supported Analog Camera Types	Support AHD input: 5MP@20fps(The first channel) 4MP@30fps(The first channel) 5MP@12fps 4MP@15fps 1080P@30fps 720P@60fps Support TVI input: 5MP@20fps(The first channel) 4MP@30fps(The first channel) 5MP@12fps 4MP@15fps 1080P@30fps 720P@60fps Support CVI input: 5MP@20fps(The first channel)	Support AHD input: 5MP@12fps 4MP@15fps 1080P@30fps 720P@30fps Support TVI input: 5MP@12fps 4MP@15fps 1080P@30fps 720P@30fps Support CVI input: 4MP@15fps 1080P@30fps 720P@30fps Support CVBS input

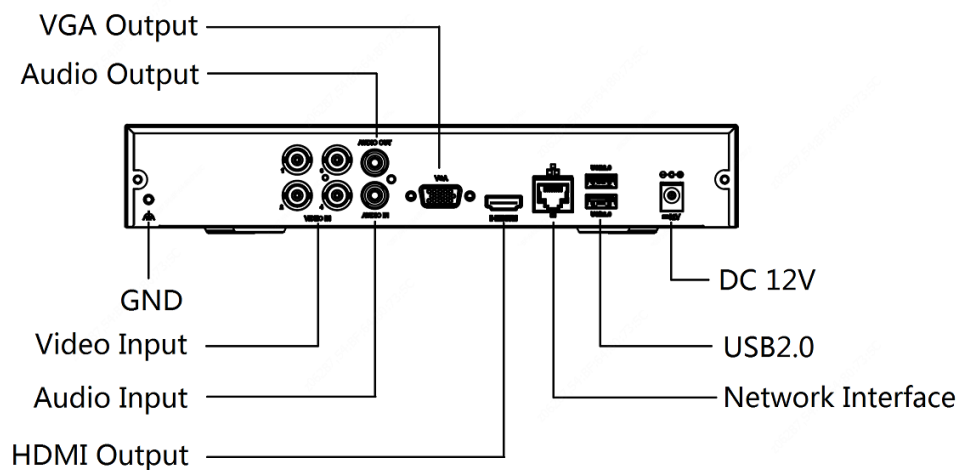
	4MP@30fps(The first channel) 4MP@15fps 1080P@30fps 720P@30fps Support CVBS input			
Audio Input	1-ch, RCA	1-ch, RCA		
Two-way Audio	1-ch, RCA	1-ch, RCA		
Network				
Incoming Bandwidth	40Mbps (Up to 48Mbps after all analog channel conversion)			
Outgoing Bandwidth	60Mbps			
Remote Users	128			
Protocols	TCP/IP, P2P, UPnP, NTP, DHCP			
Video/Audio Output				
VGA Output	1920x1080/60Hz, 1920x1080/50Hz, 1600x1200/60Hz, 1280x1024/60Hz, 1280x720/60Hz, 1024x768/60Hz			
HDMI Output	1920x1080/60Hz, 1920x1080/50Hz, 1600x1200/60Hz, 1280x1024/60Hz, 1280x720/60Hz, 1024x768/60Hz			
Audio Output	1-ch, RCA			
Synchronous Playback	4-ch	8-ch		
Encoding				
Recording Resolution	5MP Lite/4MP Lite/1080P/720P/CIF	5MP Lite/4MP Lite /1080P/720P/CIF		
Recording Frame Rate	Main stream:	Sub stream:	Main stream:	Sub stream:
	5MP Lite@12fps	D1@12fps	5MP Lite@6fps	D1@6fps
	4MP Lite@15fps	D1@15fps	4MP Lite@8fps	D1@8fps
	2MP@15fps	D1@15fps	2MP Lite@15fps	D1@15fps
			2MP@8fps	D1@8fps
720P@30fps	D1@30fps	720P@15fps	D1@15fps	
Hard Disk				
SATA	1 SATA interface			
Capacity	Up to 6TB for each HDD			
External Interface				
Network Interface	1RJ45 10M/100M self-adaptive Ethernet Interface			
USB Interface	Rear panel:2 x USB2.0			
General				
Power Supply	12V DC Power Consumption: ≤ 8 W(without HDD)			
Working Environment	-10°C ~ + 55°C (+14°F ~ +131°F), Humidity ≤ 90% RH(non-condensing)			
Dimensions(W×D×H)	260mm × 243mm × 46mm (10.2" × 9.6" × 1.8")			
Weight (without HDD)	≤1.1 Kg (2.42lb)			

Dimensions



Rear Panel

Take XVR-104G2 for example



www.uniview.com/uniarch

©2021 Zhejiang Uniview Technologies Co., Ltd. All rights reserved.

*Product specifications and availability are subject to change without notice.